

GENUINE
blue

UPO®

**Shackle & Suspension
Systems**

**INTERNATIONAL
TRUCK MODELS**

URO®

INFO FACTS

The *URO*® Shackle System has a freely rotating spring pin design and a specially formulated urethane that is self-lubricating and abrasion resistant. The *URO*® Shackle provides superior dampening and suspension control over the original equipment bushings. It extends component life and improves overall vehicle handling as well as greatly reduces wear on the leaf springs and hangers.

The *URO*® Shackle System design is backed by:

3 YEAR PARTS & LABOR WARRANTY

MAINTENANCE FREE

LOWER MAINTENANCE COSTS

INCREASED SERVICE LIFE 3 TO 5 TIMES

EASY INSTALLATION

IMPROVES RIDE QUALITY

QUIETER RIDE

***INCREASED CONTROL OVER
SUSPENSION MOVEMENT TO MAINTAIN ALIGNMENT;
IMPROVES HANDLING, &
EXTENDS TIRE LIFE.***

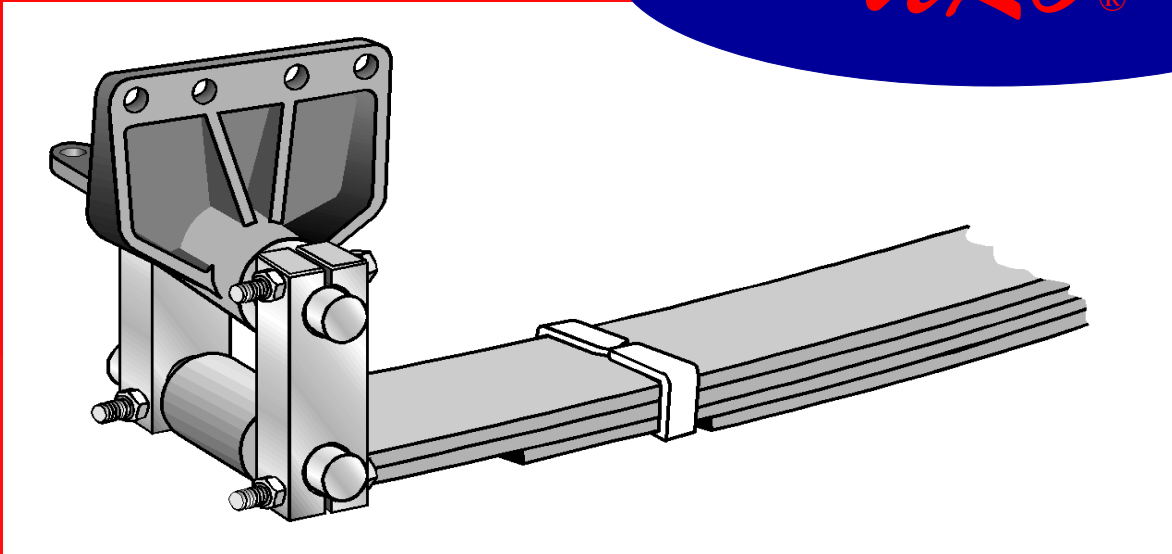
www.urobushings.com

INTERNATIONAL TRUCK APPLICATIONS

| MODELS / CHASSIS | Location | URO® Kit No. | Front of Front Spring Pin | Bushing Dimension | Special Comments |
|-----------------------------|-----------------|-------------------------|--------------------------------------|------------------------------|--|
| 1700,1800,1900 S SERIES | Front | TD5570 | TD551369 | 1-1/4" O.D. | |
| Single Axle Variable Rate | Rear | TD105 | ---- | 1-1/2" O.D. | Cast Hanger Application |
| | Rear | TD106 | ---- | 1-9/16" O.D. | OVERSIZE Bronze Bushing |
| | Rear | TD107 | ---- | 1-1/2" O.D. | Stamped Steel Hanger |
| 2500 S SERIES | Front | TD5550 | | 1-1/2" O.D. | |
| | Rear | ---- | ---- | ---- | |
| 3000, 4000, 8000 Series | Front | TD5550 | TD551434 | 1-1/2" O.D. | 4" Leaf Spring |
| GENESIS/AMTRAN CHASSIS | Front | TD5520 | TD551442 | 1-1/2" O.D. | 3" Leaf Spring |
| Single Axle Variable Rate | Rear | TD105 | ---- | 1-1/2" O.D. | Cast Hanger Application |
| IH Air Suspension | Rear | TBA | ---- | ---- | 3" Wide |
| 4400 Series Conventional | Front | TD5510 | | 1.835" O.D. | 4" Leaf Spring Rubber Bushing |
| IH Air Suspension | Rear | TBA | ---- | | |
| 8000, 9000 Series | Front | TD5530 | ---- | 1-49/64" O.D. | Threaded Pins Hanger Modifications Necessary |
| 9300EAGLE | Front | TD5590 | ---- | 1-3/4" O.D. | Rubber Bushing |
| CORPORATE AIR SUSPENSION | Rear | TBA | ---- | | |
| | Torque Rod | TD5044695 | ---- | 2-3/4" O.D. | Torque Rod Bushing |
| IH Air Suspension | Torque Rod | TD5047691 | ---- | 2" O.D. | Torque Rod Bushing |
| | Torque Rod | TD5044697 | ---- | 2-3/4" O.D. | Torque Rod Stud |

Upgrade your suspension for a
Quieter, Softer Ride
and completely *Maintenance Free*
Specify

URO®



DISTRIBUTED BY:

URO Systems, LLC

15678 King Drive
Meadville, PA 16335
800-541-3229
814-333-2985

sales@urobushings.com

www.urobushings.com